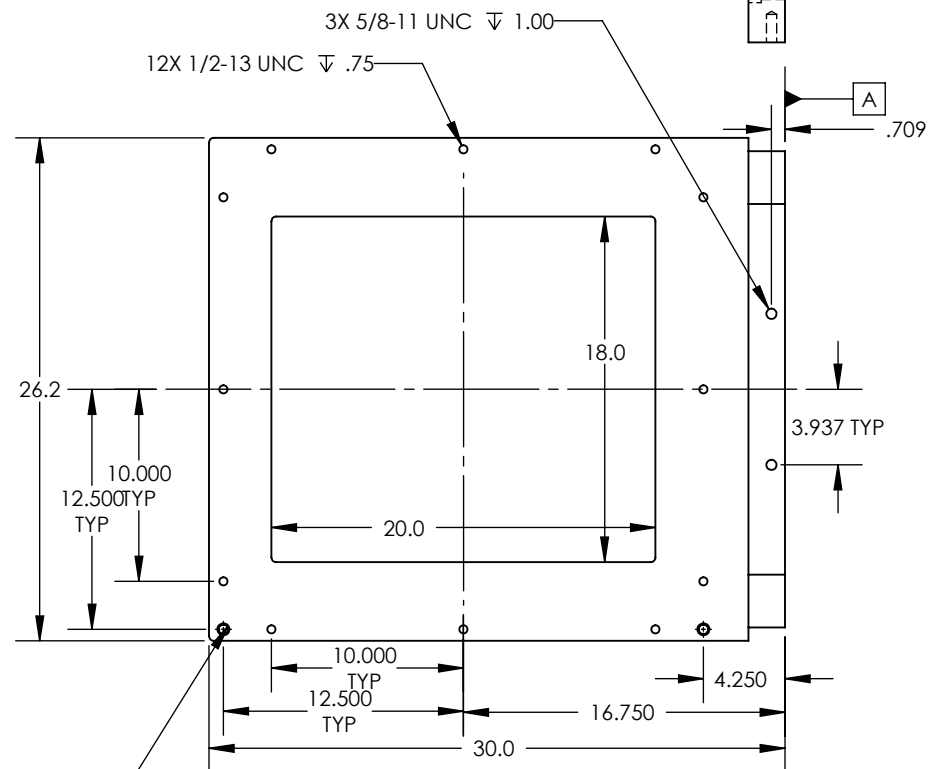
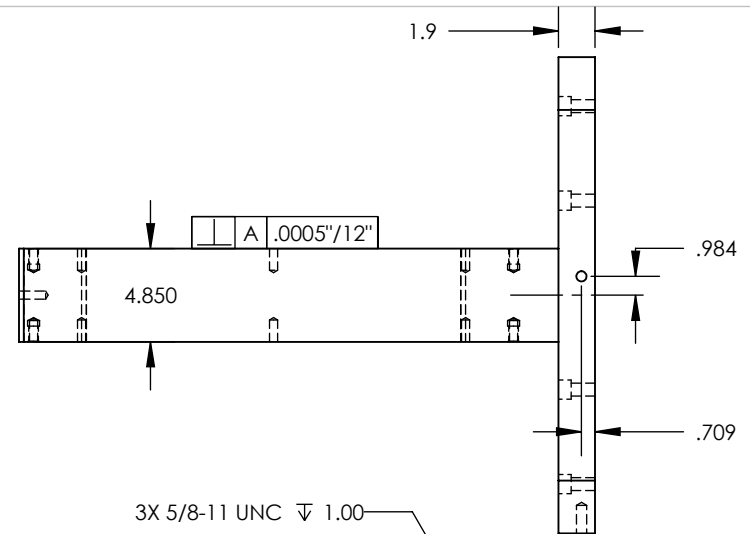


2X STEVENS BUSHING  
 P/N 10063 X .501 I.D. X .80 LG  
 BOTH FACES



2-SIDED WINDOW ANGLE PLATE



3946 W. Clarendon Avenue  
 Phoenix, AZ 85019  
 Phone: (800)635-0657  
 Fax: (602)272-0717  
 www.stevenseng.com

MATERIAL: HR STEEL

FINISH: N/A

HEAT TREAT: SR

DIMENSIONS ARE IN INCHES  
 UNLESS OTHERWISE SPECIFIED  
 ANGULAR:  $\pm .5^\circ$   
 ONE PLACE DECIMAL  $\pm .050$   
 TWO PLACE DECIMAL  $\pm .015$   
 THREE PLACE DECIMAL  $\pm .005$

DO NOT SCALE DRAWING

DRAWN BY M.C.

DATE DRAWN 8/11/12

SIZE  
**A**

DWG. NO.  
 248-2W-262049-300

REV

SCALE: 1:10

SHEET 1 OF 1