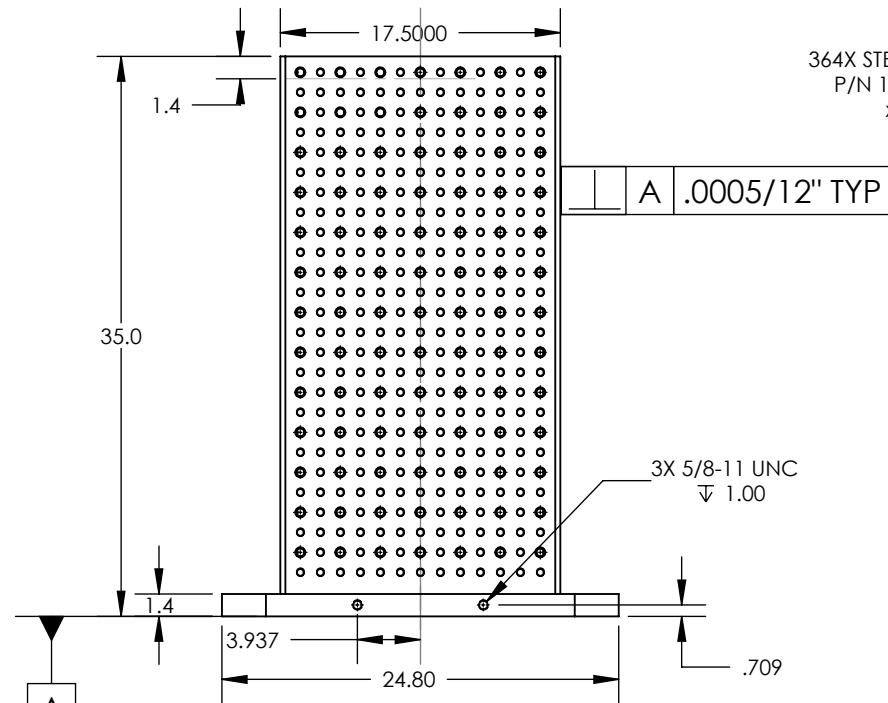


364X STEVENS BUSHING  
 P/N 10063 .501" ID  
 x .80 LG

988X 1/2-13 UNC  $\nabla .75$



4-SIDED TOMBSTONE



3946 W. Clarendon Avenue  
 Phoenix, AZ 85019  
 Phone: (800)635-0657  
 Fax: (602)273-0717  
 www.stevenseng.com

MATERIAL: HR STEEL  
 FINISH:  
 HEAT TREAT: S/R

DIMENSIONS ARE IN INCHES  
 UNLESS OTHERWISE SPECIFIED  
 ANGULAR:  $\pm .5^\circ$   
 ONE PLACE DECIMAL  $\pm .050$   
 TWO PLACE DECIMAL  $\pm .015$   
 THREE PLACE DECIMAL  $\pm .005$

DO NOT SCALE DRAWING  
 DRAWN BY: M.C.  
 DATE DRAWN: 8/10/12

SIZE <b>A</b>	DWG. NO. 248-4-175-350-ST	REV
SCALE: 1:12	SHEET 1 OF 1	