

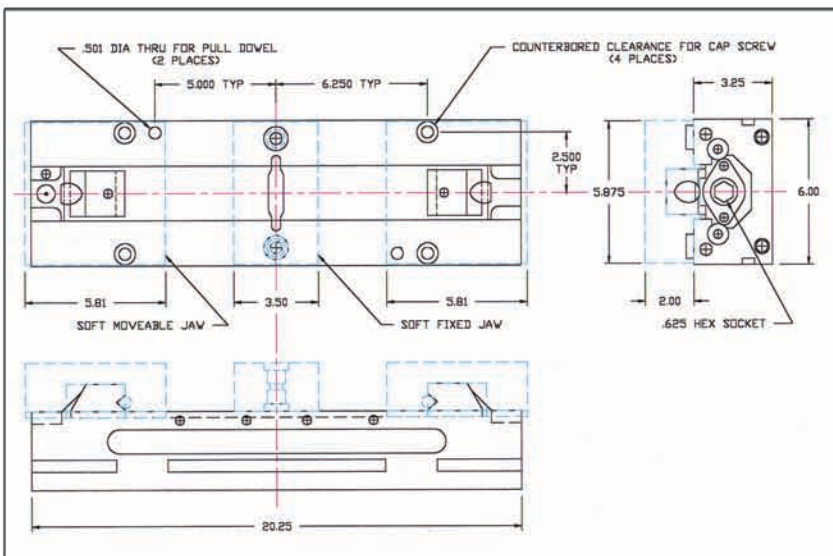
STEVENS

Two-Station Vise

Hardened ductile-iron vise with machinable Toolex-Style aluminum jaws will clamp either one or two workpieces for machining.



Unlike competitors' vises which must be awkwardly lifted up to load over pins or keys for alignment, the Stevens Two-Station Vise may be slid into position. Pull dowels are inserted from the top to align with bushings in the Stevens Subplate below.



Part Numbers for Ordering

20235

Stevens Two-Station Vise with Soft Jaws Mounted (includes vise with soft jaw set, vise handle, and tool kit).

20234

Additional Sets of Aluminum Soft Jaws (set includes two movable jaws and one fixed jaw).

Design Features

Designed to fit the industry standard Stevens Grid Pattern, the Two-Station Vise mounts with pull dowels and caps screws parallel to either X or Y axes, eliminating the need to align vises. Setup changes are quicker and more repeatable. Fixture offsets may be stored and downloaded instead of being indicated in manually.

Soft Jaws may be easily machined to any configuration. Movable and Fixed Jaws are reversible, maximizing their use. Hard Jaw Sets are also available. All jaw sets snap in easily and repeatably.

STEVENS ENGINEERING, INC.

3946 W. Clarendon Avenue, Phoenix, AZ 85019 • 800.635.0657 • 602.272.6766 • Fax 602.272.0717 • www.stevenseng.com

2067GC052306